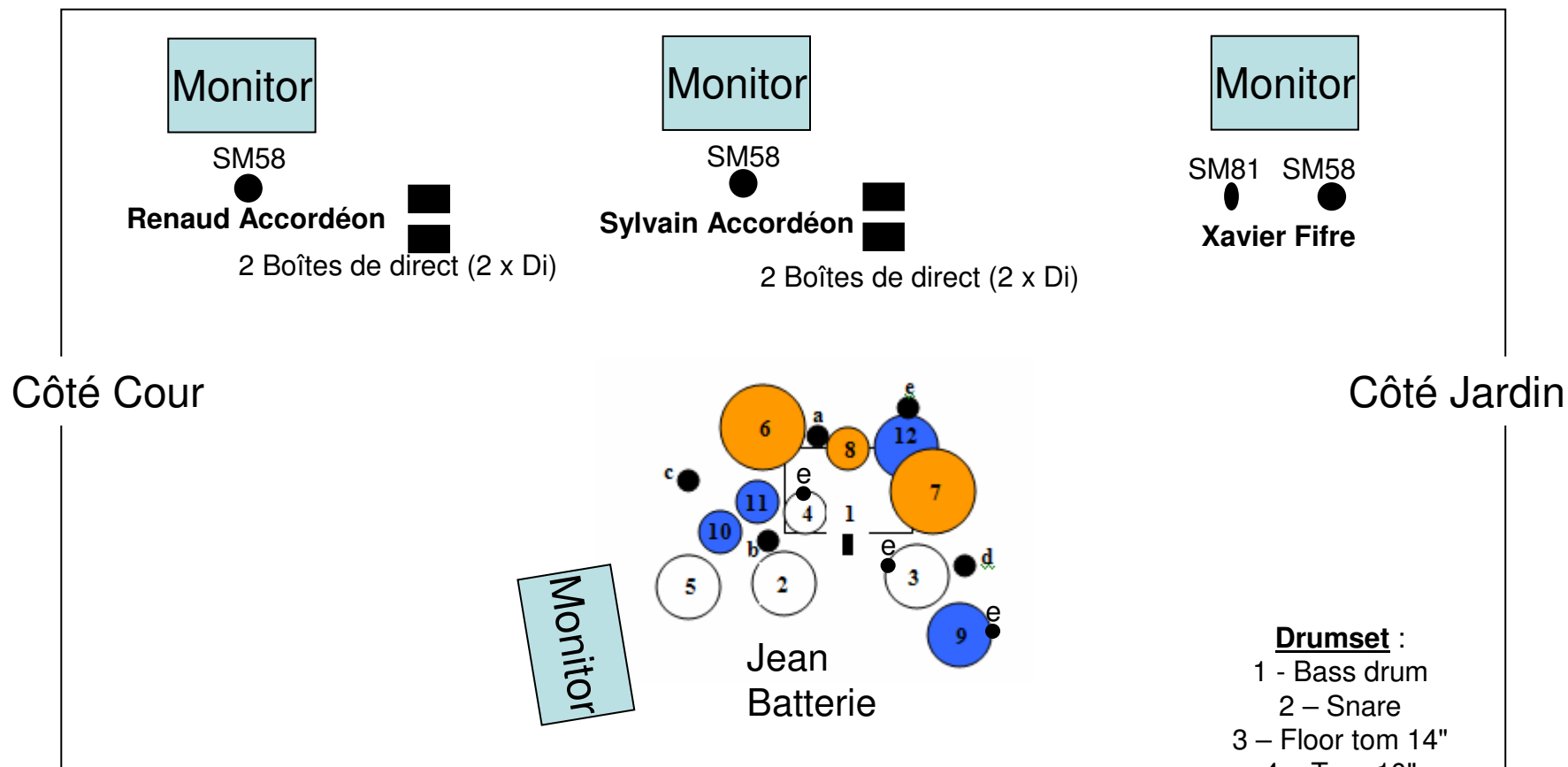


# LU RAUBA CAPEU

## FICHE TECHNIQUE



**Drumset Microphones :**  
a – Bass drum (Beta 52 shure)  
b – Snare + HH13 (2 x SM-57)  
c & d – Overheads (AKG, Shure...)  
e – Beta 98 Shure x 4

**Drumset :**  
1 - Bass drum  
2 – Snare  
3 – Floor tom 14"  
4 – Tom 10"  
5 – HH 13"  
6 – Crash Cy 14"  
7 – Ride Cy 20"  
8 – Splash Cy 10"  
9 – Timba  
10 & 11 – Bongos  
12 – marching drum