

KEY FEATURES

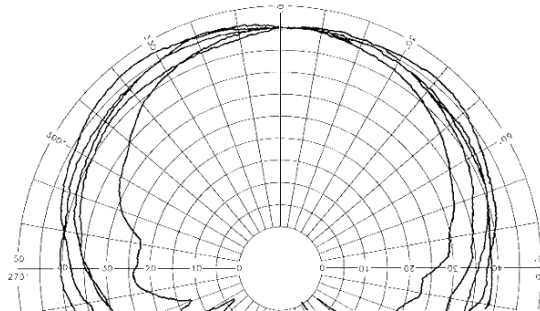
- 1.5" (37.6 mm) edgewound aluminium ribbon voice coil
- Great power handling: 25 w AES
- High Sensitivity: 105 dB
- Very similar model to the CP22 but with wider horizontal dispersion (140°)
- Designed for applications with need of wide horizontal dispersion and precise high frequency coverage.



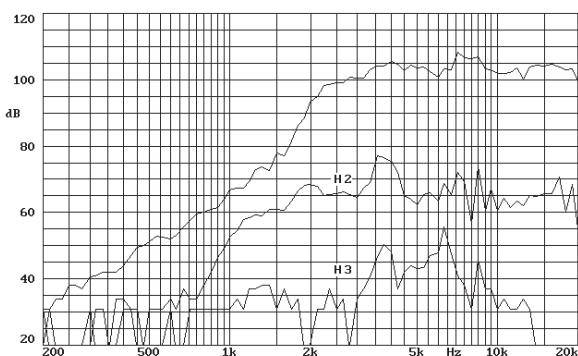
GENERAL DESCRIPTION

This compression tweeter is designed for use in multi-element loudspeaker systems in both sound reinforcement and studio applications. It features smooth response with wide controlled dispersion in the horizontal plane (140°). The voice coil is wound from flat aluminium wire, bonded to an aluminium diaphragm for extended response and excellent transient attack. The diaphragm assembly is field replaceable without soldering.

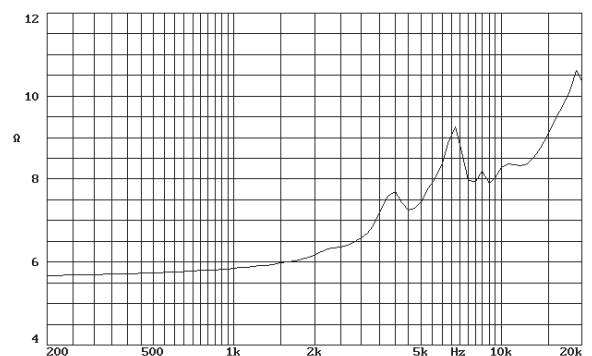
HORIZONTAL POLAR PATTERN



FREQUENCY RESPONSE AND DISTORTION CURVES



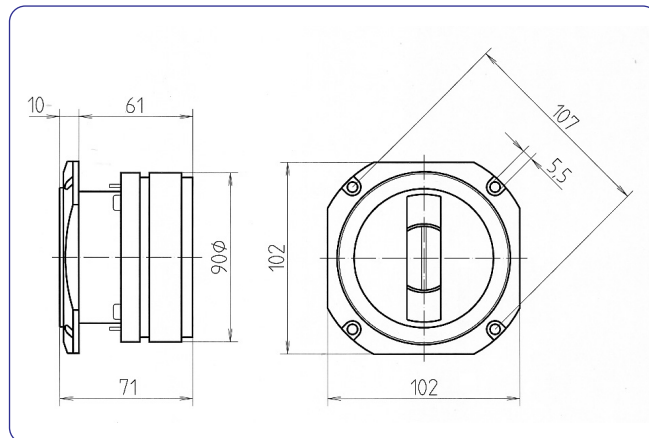
FREE AIR IMPEDANCE CURVE



TECHNICAL SPECIFICATIONS

Rated impedance	8 ohms.
Minimum impedance	8 ohms. @ 9 kHz
D.C. Resistance	6.1 ohms.
Power capacity*	25 w AES
Program Power	50 w
Sensitivity**	105 dB 1w @ 1m.
Frequency range	3.5 - 20 kHz
Recommended crossover	5 kHz or higher
Dispersion H x V	140° x 40°
Voice coil diameter	37.6 mm. 1.5 in.
Magnetic assembly weight	1.2 kg. 2.64 lb.
Flux density	1.55 T
BL Factor	5.2 N/A

DIMENSION DRAWINGS



MOUNTING INFORMATION

Overall diameter	102 x 102 mm.	4 x 4 in.
Depth	72 mm.	2.83 in.
Baffle cutout dimensions	ø 92 mm.	3.62 in.
Bolt circle diameter	107 mm.	4.21 in.
Net weight	1.7 kg.	3.75 lb.
Shipping weight	1.75 kg.	3.85 lb.

Notes:

*The power capacity is determined according to AES2-1984 (r2003) standard. Program power is defined as the transducer's ability to handle normal music program material.

**Sensitivity was measured at 1 m distance, on axis, with 1 w input, averaged in the range 3-15 kHz

MATERIALS

- **Diaphragm:** Aluminium
- **Voice coil:** Edgewound aluminium ribbon
- **Voice coil former:** Kapton
- **Magnet:** Ferrite



acústica beyma, s.a.