



SUPER BLU

Owner's Manual

MODEL: BH100



HD DVD

Before connecting, operating or adjusting this product, please read this instruction booklet carefully and completely.





CAUTION: TO REDUCE THE RISK OF ELECTRIC SHOCK DO NOT REMOVE COVER (OR BACK) NO USER-SERVICEABLE PARTS INSIDE REFER SERVICING TO QUALIFIED SERVICE PERSONNEL.



This lightning flash with arrowhead symbol within an equilateral triangle is intended to alert the user to the presence of uninsulated dangerous voltage within the product's enclosure that may be of sufficient magnitude to constitute a risk of electric shock to persons.



The exclamation point within an equilateral triangle is intended to alert the user to the presence of important operating and maintenance (servicing) instructions in the literature accompanying the product.

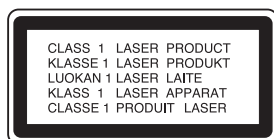
WARNING: TO PREVENT FIRE OR ELECTRIC SHOCK HAZARD, DO NOT EXPOSE THIS PRODUCT TO RAIN OR MOISTURE.

WARNING: Do not install this equipment in a confined space such as a book case or similar unit.

CAUTION: Do not block any ventilation openings. Install in accordance with the manufacturer's instructions.

Slots and openings in the cabinet are provided for ventilation and to ensure reliable operation of the product and to protect it from over heating.

The openings should be never be blocked by placing the product on a bed, sofa, rug or other similar surface. This product should not be placed in a built-in installation such as a bookcase or rack unless proper ventilation is provided or the manufacturer's instruction have been adhered to.



CAUTION: CLASS 3B VISIBLE AND INVISIBLE LASER RADIATION WHEN OPEN AND INTERLOCKS DEFEATED AVOID EXPOSURE TO THE BEAM.

CAUTION: This product employs a Laser System. To ensure proper use of this product, please read this owner's manual carefully and retain it for future reference. Should the unit require maintenance, contact an authorized service center. Performing controls, adjustments, or carrying out procedures other than those specified herein may result in hazardous radiation exposure. To prevent direct exposure to laser beam, do not try to open the enclosure. Visible laser radiation when open. **DO NOT STARE INTO BEAM.**

CAUTION: The apparatus should not be exposed to water (dripping or splashing) and no objects filled with liquids, such as vases, should be placed on the apparatus.

CAUTION concerning the Power Cord
Most appliances recommend they be placed upon a dedicated circuit;

That is, a single outlet circuit which powers only that appliance and has no additional outlets or branch circuits. Check the specification page of this owner's manual to be certain.

Do not overload wall outlets. Overloaded wall outlets, loose or damaged wall outlets, extension cords, frayed power cords, or damaged or cracked wire insulation are dangerous. Any of these conditions could result in electric shock or fire. Periodically examine the cord of your appliance, and if its appearance indicates damage or deterioration, unplug it, discontinue use of the appliance, and have the cord replaced with an exact replacement part by an authorized servicer.

Protect the power cord from physical or mechanical abuse, such as being twisted, kinked, pinched, closed in a door, or walked upon. Pay particular attention to plugs, wall outlets, and the point where the cord exits the appliance.

To disconnect power from the mains, pull out the mains cord plug. When installing the product, ensure that the plug is easily accessible.

FCC WARNING: This equipment may generate or use radio frequency energy. Changes or modifications to this equipment may cause harmful interference unless the modifications are expressly approved in the instruction manual. The user could lose the authority to operate this equipment if an unauthorized change or modification is made.

REGULATORY INFORMATION: FCC Part 15

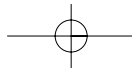
This equipment has been tested and found to comply with the limits for a Class B digital device, pursuant to Part 15 of the FCC Rules.

These limits are designed to provide reasonable protection against harmful interference in a residential installation. This equipment generates, uses and can radiate radio frequency energy and, if not installed and used in accordance with the instructions, may cause harmful interference to radio communications.

However, there is no guarantee that interference will not occur in a particular installation. If this equipment does cause harmful interference to radio or television reception, which can be determined by turning the equipment off and on, the user is encouraged to try to correct the interference by one or more of the following measures:

- Reorient or relocate the receiving antenna.
- Increase the separation between the equipment and receiver.
- Connect the equipment into an outlet on a circuit different from that to which the receiver is connected.
- Consult the dealer or an experienced radio/TV technician for help.

FCC COMPLIANCE: The responsible party for this product's compliance is:
 LG Electronics U.S.A., Inc., 1000 Sylvan Avenue,
 Englewood Cliffs, NJ.
 Phone: 1-201-816-2000.



IMPORTANT SAFETY INSTRUCTIONS

CAUTION: PLEASE READ AND OBSERVE ALL WARNINGS AND INSTRUCTIONS IN THIS OWNER'S MANUAL. AND THOSE MARKED ON THE PRODUCT. RETAIN THIS BOOKLET FOR FUTURE REFERENCE.

This product has been designed and manufactured to assure personal safety. Improper use can result in electric shock or fire hazard. The safeguards incorporated in this product will protect you if you observe the following procedures for installation, use, and servicing.

This product does not contain any parts that can be repaired by the user.

DO NOT REMOVE THE CABINET COVER, OR YOU MAY BE EXPOSED TO DANGEROUS VOLTAGE. REFER SERVICING TO QUALIFIED SERVICE PERSONNEL ONLY.

1. **Read these instructions.** - All these safety and operating instructions should be read before the product is operated.
2. **Keep these instructions.** - The safety, operating and use instructions should be retained for future reference.
3. **Heed all warnings.** - All warnings on the product and in the operating instructions should be adhered to.
4. **Follow all instructions.** - All operating and use instructions should be followed.
5. **Do not use this apparatus near water.** - For example: near a bath tub, wash bowl, kitchen sink, laundry tub, in a wet basement; or near a swimming pool; and other areas located near water.
6. **Clean only with dry cloth.** - Unplug this product from the wall outlet before cleaning. Do not use liquid cleaners.
7. **Do not block any ventilation openings. Install in accordance with the manufacturer's instructions.** - Slots and openings in the cabinet are provided for ventilation and to ensure reliable operation of the product and to protect it from over-heating. The openings should never be blocked by placing the product on a bed, sofa, rug or other similar surface. This product should not be placed in a built-in installation such as a bookcase or rack unless proper ventilation is provided or the manufacturer's instructions have been adhered to.
8. **Do not install near any heat sources such as radiators, heat registers, stoves, or other apparatus (including amplifiers) that produce heat.**
9. **Do not defeat the safety purpose of the polarized or grounding-type plug. A polarized plug has two blades with one wider than the other. A grounding type plug has two blades and a third grounding prong. The wide blade or the third prong are provided for your safety. If the provided plug does not fit into your outlet, consult an electrician for replacement of the obsolete outlet.**
10. **Protect the power cord from being walked on or pinched particularly at plugs, convenience receptacles, and the point where they exit from the apparatus.**
11. **Only use attachments/accessories specified by the manufacturer.**
12. **Use only with the cart, stand, tripod, bracket, or table specified by the manufacturer, or sold with the apparatus. When a cart is used, use caution when moving the cart/apparatus combination to avoid injury from tip-over.**
13. **Unplug this apparatus during lightning storms or when unused for long periods of time.**
14. **Refer all servicing to qualified service personnel. Servicing is required when the apparatus has been damaged in any way, such as power-supply cord or plug is damaged, liquid has been spilled or objects have fallen into the apparatus, the apparatus has been exposed to rain or moisture, does not operate normally, or has been dropped.**



Contents

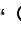
Introduction	5-11
About the ∅ Symbol Display	5
Symbols Used in this Manual	5
Notes on Discs	5
Moisture Condensation	5
Playable Discs	6
Regional Code	6
Notes on Copyrights	6
BD-ROM Disc Features	7
HD DVD Disc Features	8
Compatibility Notes	8
Certain System Requirements	8
Front Panel	9
Display Window	10
Remote Control	11
Installation and Setup	12-20
Rear Panel	12
HDMI connection	13
Connections to Your TV	14
Connecting to an Amplifier	15
Resolution Setting	16
Initial Settings	17
- General Operation	17
- Display Menu	17
- Language Menu	18
- Audio Menu	18-19
- Lock Menu (Parental Control)	20
- Others Menu	20
Operations	21-23
General playback features	21
If a disc menu screen is displayed	22
Time Search	22
Marker Search	22
Using Color Buttons	22
Displaying Disc Information On-Screen	22
Special Features for HD DVD	23
- HD DVD Twin Format Discs	23
- Using the HD DVD with HDi features	23
- Multi Title List function	23
Special Features for BD-ROM	23
- BD Hybrid Discs	23
Reference	24-30
Controlling an LG TV with the Supplied Universal Remote Control	24
Controlling other TVs with the Universal Remote Control	24
Code numbers of controllable TVs	25
Language Codes	26
Area Codes	26
Troubleshooting	27
Maintenance and Service	27
Specifications	28
Super Blu's Audio Output Specifications	29
Open source software notice	30
Customer Support	30
Warranty	Rear Cover

Introduction

To ensure proper use of this product, please read this owner's manual carefully and retain for future reference.

This manual provides information on the operation and maintenance of your player. Should the unit require service, contact an authorized service location.

About the Symbol Display

" " may appear on your TV display during operation and indicates that the function explained in this owner's manual is not available on that specific media.

Symbols Used in this Manual


Note:

Indicates special notes and operating features.

Tip:

Indicates tips and hints for making the task easier.

A section whose title has one of the following symbols are applicable only to the disc represented by the symbol.

 BD-ROM disc

 HD DVD-ROM disc

 DVD-Video disc

Manufactured under license from Dolby Laboratories. "Dolby", "Pro Logic", and the double-D symbol are trademarks of Dolby Laboratories.

DTS and DTS Digital Surround are registered trademarks of Digital Theater Systems, Inc.

Notes on Discs

Handling Discs

Do not touch the playback side of the disc. Hold the disc by the edges so that fingerprints do not get on the surface. Never stick paper or tape on the disc.

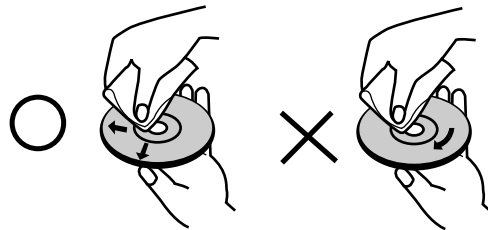


Storing Discs

After playing, store the disc in its case. Do not expose the disc to direct sunlight or sources of heat and never leave it in a parked car exposed to direct sunlight.

Cleaning Discs

Fingerprints and dust on the disc can cause poor picture quality and sound distortion. Before playing, clean the disc with a clean cloth. Wipe the disc from the center out.



Do not use strong solvents such as alcohol, benzene, thinner, commercially available cleaners, or anti-static spray intended for older vinyl records.

Moisture Condensation

Never operate this product immediately after moving it from a cold location to a warm location. Leave it for two or three hours without operating it. If you use this product in such a situation, it may damage discs and internal parts.

Playable Discs



BD-ROM

Discs such as movies that can be purchased or rented

HD DVD Disc

This product fully supports standard Blu-ray discs and can play high definition audio/visual content from HD DVD discs. This product does not support interactive "HDI" features available from many HD DVD discs.



DVD-VIDEO (8 cm / 12 cm disc)

Discs such as movies that can be purchased or rented



DVD-R (8 cm / 12 cm disc)

Video mode and finalized only



DVD-RW (8 cm / 12 cm disc)

Video mode and finalized only



DVD+R

Video mode only
Supports the dual layer disc also



DVD+RW

Video mode only

Notes:

- Depending on the conditions of the recording equipment or the DVD±R/RW disc itself, some DVD±R/RW discs cannot be played on the unit.
- Discs with PAL programs recorded on them cannot be played using this product.
- Do not attach any seal or label to either side (the labeled side or the recorded side) of a disc.
- Do not use irregularly shaped discs (e.g., heart-shaped or octagonal). Doing so may result in malfunctions.
- Depending on the recording software & the finalization, some recorded DVD±R/RW may not be playable.
- DVD±R/RW discs recorded using a personal computer or a DVD Recorder may not play if the disc is damaged or dirty, or if there is dirt or condensation on the Player's lens.
- If you record a disc using a personal computer, even if it is recorded in a compatible format, there are cases in which it may not play because of the settings of the application software used to create the disc. (Check with the software publisher for more detailed information.)

Regional Code

Both the player and the discs are coded by region. These regional codes must match in order to play the disc. If the codes do not match, the disc will not play. The Region Number for this player is described on the rear panel of the player.



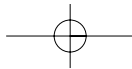
DVD-Video



BD-ROM

Notes on Copyrights

- Because AAC (Advanced Access Content System) is approved as content protection system for BD and HD DVD format, similar to use of CSS (Content Scramble System) for DVD format, certain restrictions are imposed on playback, analog signal output, etc., of AAC protected contents. The operation of this product and restrictions on this product may vary depending on your time of purchase as those restrictions may be adopted and/or changed by AAC after the production of this product.
Furthermore, BD-ROM Mark and BD+ are additionally used as content protection system for BD format, which imposes certain restrictions including playback restrictions for BD-ROM Mark and/or BD+ protected contents. To obtain additional information on AAC, BD-ROM Mark, BD+, or this product, please contact LG Customer Service Center.
- Many HD DVD/BD-ROM/DVD discs are encoded with copy protection. Because of this, you should only connect your player directly to your TV, not to a VCR. Connecting to a VCR results in a distorted picture from copy-protected discs.
- This product incorporates copyright protection technologies that are protected by certain U.S. patents and other intellectual property rights owned by Macrovision Corporation and other rights owners. Use of this copyright protection technology must be authorized by Macrovision Corporation and is intended for home and other limited viewing uses only, unless otherwise authorized by Macrovision Corporation. Reverse engineering or disassembly is prohibited.
- Under the U.S. Copyright laws and Copyright laws of other countries, unauthorized recording, use, display, distribution, or revision of television programs, videotapes, HD DVDs, BD-ROM discs, DVDs, CDs and other materials may subject you to civil and/or criminal liability.



BD-ROM Disc Features

BD-ROM Discs can store 25 GB (single layer) or 50 GB (dual layer) on a single sided disc - about 5 to 10 times the capacity of a DVD.

BD-ROM Discs also support the highest quality HD video available in the industry (up to 1920 x 1080) - Large capacity means no compromise on video quality. Furthermore, a BD-ROM disc has the same familiar size and look as DVD.

- The following BD-ROM disc features are disc dependent and will vary.
- Appearance and navigation of features will also vary from disc to disc.
- Not all discs will have the features described below.
- BD-ROM, Hybrid disc have both BD-ROM and DVD layers on one side. Because this type of disc is a technology currently in development, such discs may not operate properly in this player.

Video highlights

The BD-ROM format for movie distribution supports three highly advanced video codecs, including MPEG-2, MPEG4 AVC (H.264), and SMPTE VC1. HD video resolutions are also available:

- 1920 x 1080 HD
- 1280 x 720 HD

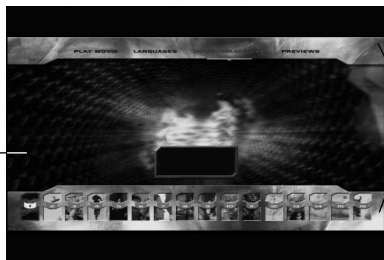
For High-Definition Playback

To view high-definition contents from BD-ROM discs, an HDTV is required. Some discs may require HDMI OUT for viewing of high-definition contents. Ability to view high-definition contents in BD-ROM discs may be limited depending on the resolution of your TV.

Graphic planes

Two individual, full HD resolution (1920x1080) graphic planes (layers) are available, on top of the HD video layer. One plane is assigned to video-related, frame accurate graphics (like subtitles), and the other plane is assigned to interactive graphic elements, such as buttons or menus.

For both planes, various wipes, fades and scroll effects may be available.



Graphic Plane

HD Video

Menu graphics

Support 256 color full resolution graphics and animation, thereby greatly surpassing the capabilities of DVD-Video. Options can be accessed and removed during video playback.

Menu sounds

When you highlight or select a menu option, sounds can be heard such as button clicks or a voice-over explaining the highlighted menu choice.

Multi-page/PopUp Menus

With DVD-Video, playback is interrupted each time a new menu screen is accessed. Due to BD-ROM disc's ability to preload data from the disc without interrupting playback, a menu can consist of several pages.

You can browse through the menu pages or select different menu paths, while the audio and video remain playing in the background.

Interactivity

Certain BD-ROM Discs may contain animated menus and/or trivia games.

User Browsable Slideshows

With BD-ROM Discs, you can browse through various still pictures while the audio remains playing.

Subtitles

Depending on what is contained on the BD-ROM disc, you may be able to select different font styles, sizes and colors for some subtitles, Subtitles may also be animated, scrolled or faded in and out.

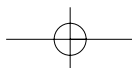
BD-Java Interactive Capability

This player supports JAVA contents in the BD-ROM disc.

BD-ROM Disc Compatibility

BD-ROM disc is a new and evolving format. Accordingly, disc compatibility issues with new and existing format discs are possible. Not all discs are compatible and not every disc will playback. For additional information, also refer to the Compliance and Compatibility Notice section of this Manual. If you encounter compatibility problems, please contact LG Customer Service Center.

This player supports only BD-ROM Profile 1 version 1.0 specification.



HD DVD Disc Features

HD DVD video discs are high-density, high-capacity discs.

- There are 2 types of HD DVD disc; one is standard content disc and the other is advanced content disc. Standard content disc is pure extension of DVD Video. Advanced content disc realizes more interactivity in addition to the extension of audio and video realized by standard disc.
- The HD DVD disc standard has been approved by the DVD forum.
- HD DVD (single layer): Maximum capacity of 15 GB
HD DVD (dual layer): Maximum capacity of 30 GB
A single layer single sided disc (15 GB) has capacity of about maximum 8 hours in 1125 line high definition picture; about maximum 48 hours in 525 line standard definition picture (depending on bitrate of pre-recorded contents).
- HD DVD Twin Format Discs have both HD DVD and DVD layers on one side. HD DVD Combination DVD Discs have HD DVD material on one side and standard DVD material on the other side. Because this type of disc is a technology currently in development, such discs may not operate properly in this player.
- Some titles may played back with black "letterbox bars" because the title is recorded with bars by the contents provider.
- This product fully supports standard Blu-ray discs and can play high definition audio/visual content from HD DVD discs. This product does not support interactive "HDI" features available from many HD DVD discs.

Compatibility Notes

- Because BD-ROM and HD DVD are a new format, certain disc, digital connection and other compatibility issues are possible. If you experience compatibility problems, please contact LG Customer Service Center.
- Viewing high-definition content and up-converting standard DVD content may require an HDMI-capable input or HDCP-capable DVI input on your display device.
- Some BD-ROM, HD DVD and DVD discs may restrict the use of some operation commands or features.
- Dolby Digital Plus and DTS-HD (DTS only) capability is limited to 6 channels (5.1).

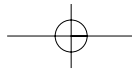
Certain System Requirements

For high definition video playback:

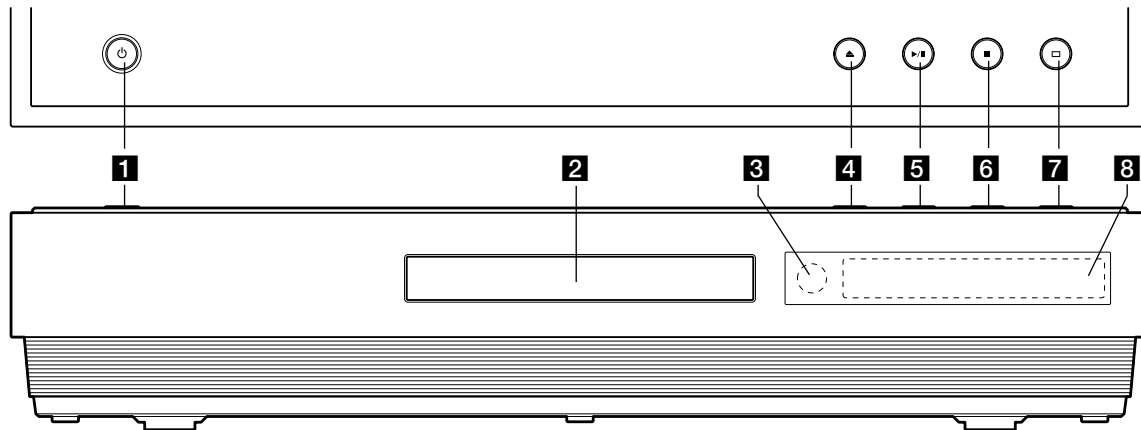
- High definition display that has COMPONENT or HDMI input jacks.
- BD-ROM or HD DVD disc with high definition content.
- HDMI or HDCP capable DVI input on your display device is required for some content (as specified by disc authors).
- For up-conversion of standard definition DVD, an HDMI or HDCP capable DVI input on your display device is required for copy protected content.

For Dolby® Digital Plus and DTS-HD multi-channel audio playback:

- A/V Receiver or processor/amp combination with 5.1 channel analog input.
- Main, center, surround speakers and subwoofer as necessary for chosen format.



Front Panel



1 POWER Button

Switches the unit ON or OFF.

2 Disc Tray

Insert a disc here.

3 Remote Sensor

Point the Remote Control here.

4 ▲ (OPEN/CLOSE)

Opens or closes the disc tray.

5 ► / || (PLAY / PAUSE)

Starts playback.

Pause playback temporarily, press again to exit pause mode.

6 ■ (STOP)

Stops playback.

7 □ (RESOLUTION)

Sets the output resolution for HDMI and COMPONENT VIDEO OUT jacks.

8 Display Window

Shows the current status of the player.

Tip:

▲, ► / ||, ■, and □ buttons are operated with a slight/brief touch.

Precautions in using the touch buttons

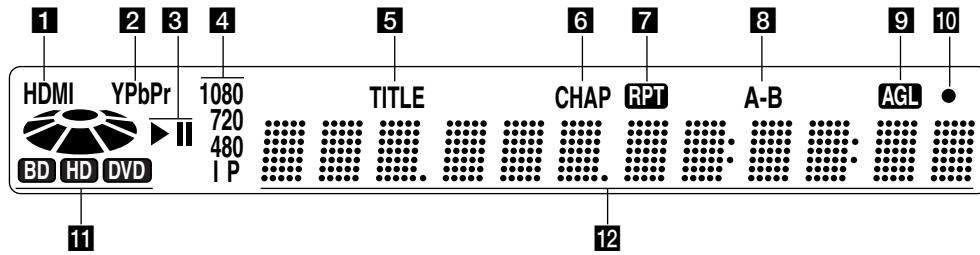
- Use the touch buttons with clean and dry hands.
- Do not press the touch buttons with too much force.
- Do not touch the button with any conductive material such as metallic object (Disc, etc). It may cause a malfunction.

Lock (Child Lock)

The ► / ||, ■, and □ buttons on the front of the player can be locked so that your player can only be operated using the Remote Control.

1. Press LOCK on the Remote Control. "LOCK ON" will appear in the display window.
If ► / ||, ■ or □ button on the front of your unit are pressed, "CHILD LOCK" will flicker in the display window for a few seconds.
2. Press LOCK again to switch off the child lock. "LOCK OFF" will appear in the display window.

Display Window



1 HDMI Indicator

Indicates when the HDMI output is available.

2 YPbPr Indicator

Indicates when the component video output is available.

3 Status Indicator

▶: Playing
 ||: Paused

4 Video Output Resolution Indicator

Displays the video output resolution currently selected.
 480i: 480 interlace
 480p: 480 progressive
 720p: 720 progressive
 1080i: 1080 interlace
 1080p: 1080 progressive

5 TITLE

Indicates current title number.

6 CHAP (Chapter) Indicator

Indicates current chapter number.

7 Repeat Mode Indicator

Indicates when playing in repeat mode.

8 A-B Repeat Mode Indicator

Indicates when playing in A-B repeat mode.

9 AGL (Angle) Indicator

Indicates when playing a scene recorded with multi angles.

10 Remote Control Indicator

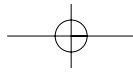
Indicates when Remote Control signal is received.

11 Disc Indicator

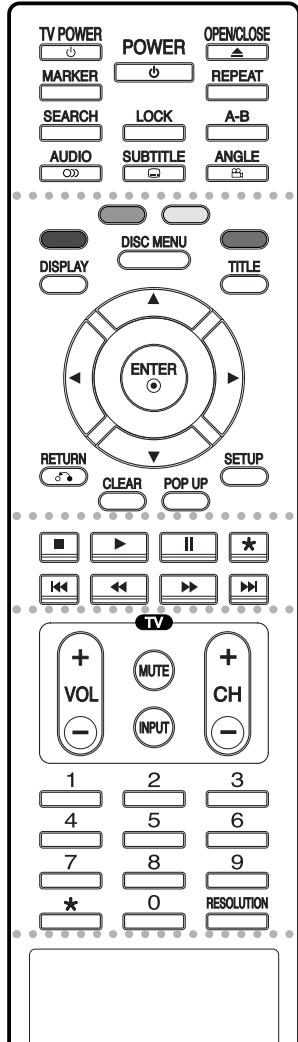
BD: Indicates when an BD-ROM disc is loaded.
 HD DVD: Indicates when an HD DVD disc is loaded.
 DVD: Illuminates when a DVD disc is loaded.

12 Character Indicators

Indicates total playing time, elapsed time, title number, chapter number or message, etc.



Remote Control



1

2

3

4

• • • • • **1** • • • • •

POWER: Switches the player ON or OFF.

TV POWER: Switches the TV ON or OFF.

OPEN/CLOSE (▲): Opens and closes the disc tray.

MARKER: Marks any point during playback.

SEARCH: Displays Marker Search menu.

AUDIO (∞): Selects an audio language or audio channel.

LOCK: Press to lock the ► / || , ■, and □ buttons on the front panel. Press again to release.

SUBTITLE (☐): Selects a subtitle language.

REPEAT: Repeat chapter, title.

A-B: Repeat sequence.

ANGLE (⊞): Selects a disc camera angle, if available.

• • • • • **2** • • • • •

Color Buttons: Use these buttons as indicated by the video display during BD-ROM disc playback

DISPLAY: Accesses On-Screen Display.

DISC MENU: Accesses menu on a disc.

TITLE: Displays the disc's title menu, if available.

◀ / ▶ / ▲ / ▼

(left/right/up/down): Selects an option in the menu.

ENTER (⊙): Acknowledges menu selection.

RETURN (↵): Exits the menu.

CLEAR: Removes a mark on the Marker Search menu or a number when setting the password.

POP UP: Displays the disc's popup menu, if available. (BD-ROM only)

SETUP: Accesses or exits the Setup menu.

• • • • • **3** • • • • •

■ (STOP): Stops playback.

▶ (PLAY): Starts playback.

|| (PAUSE/STEP): Pauses playback.

◀◀ / ▶▶ (SCAN): Search backward or forward.

◀◀◀ / ▶▶▶ (SKIP): Go to next or previous chapter.

• • • • • **4** • • • • •

TV Control Buttons: See page 24.

0-9 numerical buttons: Selects numbered options in a menu.

RESOLUTION: Sets the output resolution for HDMI and COMPONENT VIDEO OUT jacks.

* buttons are not available.

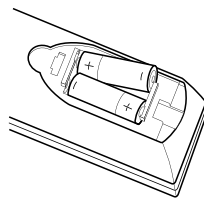
Remote Control Operation

Point the Remote Control at the remote sensor and press the buttons.

Caution

Do not mix old and new batteries. Never mix different types of batteries (standard, alkaline, etc.).

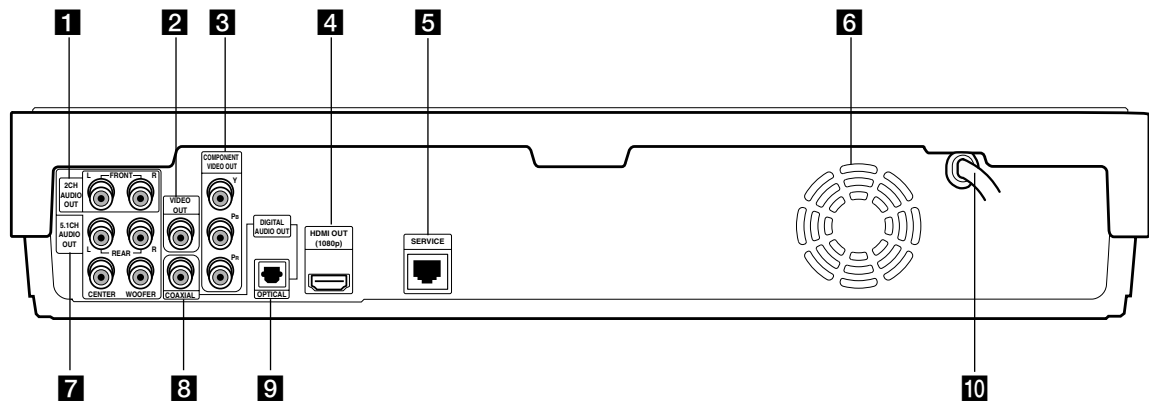
Remote Control Battery Installation



Remove the battery cover on the rear of the Remote Control, and insert two R6 (size AAA) batteries with + and - matched correctly.

Installation and Setup

Rear Panel



1 2CH AUDIO OUT (Left/Right)

Connect to a TV with 2 channel audio inputs.

2 VIDEO OUT

Connect to a TV with video inputs.

3 COMPONENT VIDEO OUT (Y Pb Pr)

Connect to a TV with Y Pb Pr inputs.

4 HDMI OUT (Type A)

Connect to TV with HDMI inputs. (Interface for digital audio and video)

5 SERVICE port

Reserved for authorized service purposes.

6 Cooling fan

7 5.1CH ANALOG AUDIO OUT

Connect to a 5.1CH analog input on an A/V Amplifier/Receiver.

8 COAXIAL (Digital audio out jack)

Connect to digital (coaxial) audio equipment.

9 OPTICAL (Digital audio out jack)

Connect to digital (optical) audio equipment.

10 AC Power Cord

Plug into the power source.

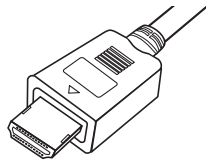
HDMI connection

If you have a HDMI TV or monitor, you can connect it to this player using a HDMI cable.

1. Connect the HDMI jack on the player to the HDMI jack on a HDMI compatible TV or monitor (**H**).
2. Set the TV's source to HDMI (refer to TV's Owner's manual).

Notes:

- If your TV is NOT capable of handling 96 kHz sampling frequency, set the [Sampling Freq.] option to [48 kHz] on the setup menu (See page 18). When this choice is made, this unit will automatically convert any 96 kHz signals to 48 kHz so your system can decode them. (See page 18)
- If [SPDIF] option is set to [Bitstream] on the setup menu and your TV does not support Bitstream Audio out in HDMI connection, audio sound may be distorted or may not output. In this case, set the [SPDIF] option to [PCM] in the setup menu. (See page 18)
- Dolby Digital Plus and DTS-HD capability limited to 5.1 channels.
- Dolby TrueHD processing for two channels only.
- If a title or disc is recorded in a resolution lower than 1080p, the output resolution is automatically changed to no higher than 1080i (even if 1080p is selected in the menu).
- The arrow on the cable connector body should face up for correct alignment with the connector on the player.



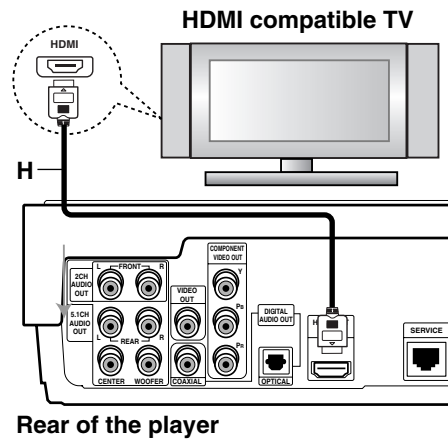
(Type A)

Tip:

When you use HDMI connection, you can change the resolution for the HDMI output. (Refer to "Resolution Setting" on page 16.)

Cautions

- Changing the resolution when the connection has already been established may result in malfunctions. To solve the problem, turn off the player and then turn it on again.
- When the HDMI connection with HDCP is not verified, a message appears on TV screen. In this case, check the the HDMI connection, or disconnect the HDMI cable.
- If there is noise or lines on the screen, please check the HDMI cable (length is generally limited to 15ft).



Rear of the player

About HDMI

HDMI (High Definition Multimedia Interface) supports both video and audio on a single digital connection for use with DVD Players, Set-Top Boxes, and other AV devices.

HDMI was developed to provide the technologies of HDCP (High-Bandwidth Digital Contents Protection). HDCP is used to protect digital content transmitted and received.

HDMI has the capability to support standard, enhanced, or high-definition video plus standard to multi-channel surround-sound audio, HDMI features include uncompressed digital video, a bandwidth of up to 5 gigabytes per second, one connector (instead of several cables and connectors), and communication between the AV source and AV devices such as DTVs.

HDMI, the HDMI logo and High-Definition Multimedia Interface are trademarks or registered trademarks of HDMI licensing LLC.

Additional Information for HDMI

- When you connect a HDMI or DVI compatible device make sure of the followings:
 - Try switching off the HDMI/DVI device and this player. Next, switch on the HDMI/DVI device and leave it for around 30 seconds, then switch on this player.
 - The connected device's video input is set correctly for this unit.
 - The connected device is compatible with 720x480p, 1280x720p, 1920x1080i or 1920x1080p video input. 1920x1080p is available only on BD-ROM / HD DVD recorded in 1080p.
- Not all HDCP-compatible DVI devices will work with this player.
 - The picture will not be displayed properly with non-HDCP device.
 - This player does not playback and a message appears on TV screen.

Connections to Your TV

- Make one of the following connections, depending on the capabilities of your existing equipment.

Tips

- Depending on your TV and other equipment you wish to connect, there are various ways you could connect the player. Use only one of the connections described below.
- Please refer to the manuals of your TV, Stereo System or other devices as necessary to make the best connections.

Caution

- Make sure the player is connected directly to the TV. Tune the TV to the correct video input channel.
- Do not connect the player's AUDIO OUT jack to the phono in jack (record deck) of your audio system.
- Do not connect your player via your VCR. The DVD image could be distorted by the copy protection system.

Component Video Connection

Connect the COMPONENT VIDEO OUT jacks on the player to the corresponding input jacks on the TV using Y Pb Pr cables (C).

Tip:

When you use COMPONENT VIDEO OUT connection, you can change the resolution for the output. (Refer to "Resolution setting" on page 16.)

Video Connection

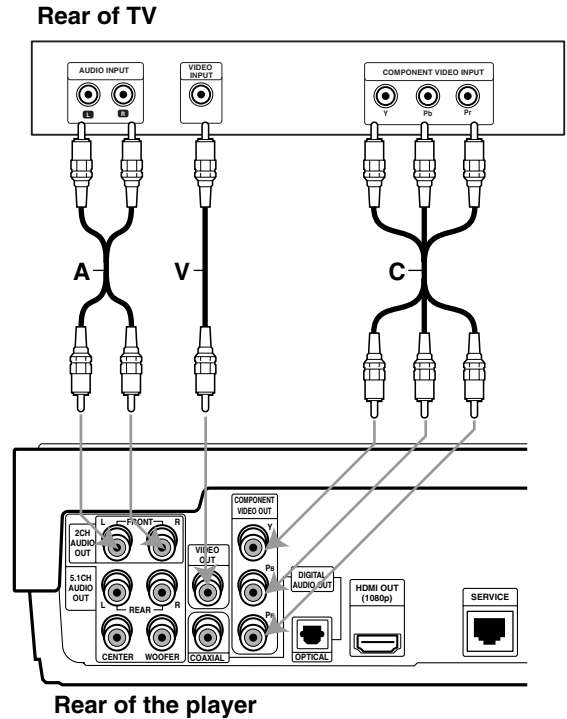
Connect the VIDEO OUT jack on the player to the video in jack on the TV using a video cable (V).

Audio (Left/Right) Connection

Connect the left and right AUDIO OUT jacks of the player to the audio left and right IN jacks on the TV using the audio cables (A). Do not connect the player's AUDIO OUT jack to the phono in jack (record deck) of your audio system.

Note:

For this audio connection, set the [Speaker Out] option to [2CH] on the setup menu. (See page 18.)



Connecting to an Amplifier

Connecting to an amplifier equipped with two channel analog stereo or Dolby Pro Logic II/ Pro Logic

Connect the Left and Right AUDIO OUT jacks on the player to the audio left and right in jacks on your amplifier, receiver, or stereo system, using audio cables (A).

Connecting to an amplifier equipped with two channel digital stereo (PCM) or to an Audio/Video receiver equipped with a multi-channel decoder (Dolby Digital™, MPEG 2, or DTS)

1. Connect one of the player's DIGITAL AUDIO OUT jacks (OPTICAL O or COAXIAL X) to the corresponding in jack on your amplifier. Use an optional digital (optical O or coaxial X) audio cable.
2. You will need to activate the player's digital output. (See "Audio" on pages 18.)

Notes:

- Dolby Digital Plus and DTS-HD capability limited to 5.1 channels.
- Dolby TrueHD processing for two channels only.

Digital Multi-channel sound

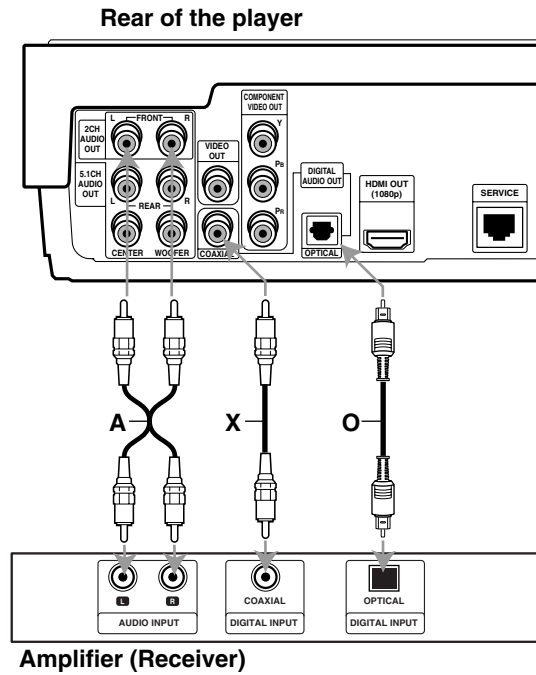
A digital multi-channel connection provides the best sound quality. For this you need a multi-channel Audio/Video Receiver that supports one or more of the audio formats supported by your player (MPEG 2, Dolby Digital and DTS). Check the receiver manual and the logos on the front of the receiver.

Cautions:

- Due to the DTS Licensing agreement, the digital output will be in DTS digital out when DTS audio stream is selected.
- Digital multi channel of the Dolby Digital, Dolby Digital Plus and True HD is output with Dolby Digital.

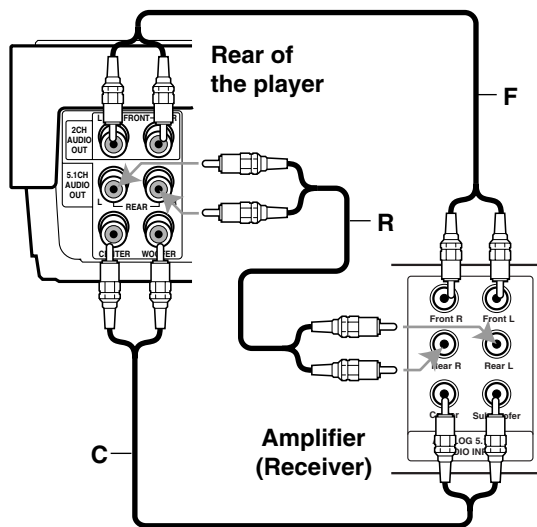
Notes:

- If the audio format of the digital output does not match the capabilities of your receiver, the receiver will produce a strong, distorted sound or no sound at all.
- Six Channel Digital Surround Sound via digital connection can only be obtained if your receiver is equipped with a Digital Multi-channel decoder.
- To see the audio format of the current disc in the on-screen display, press AUDIO.



Analog connection to a multi-channel A/V receiver with 6 Channel connectors (Dolby Digital, DTS): This player contains a multi-channel decoder. This enables playback of discs recorded in Multi-channel Surround without the need for an optional decoder.

For this audio connection, set the [Speaker Out] option to [5.1CH] and make the appropriate [5.1 Speaker Setting] option on the setup menu. (See page 19.)



Resolution Setting

The player provides several output resolutions for HDMI and COMPONENT VIDEO OUT jacks. You can change the resolution using SETUP menu or pressing the RESOLUTION button in complete stop mode.

1080p – Outputs 1080 lines of progressive video. (only for HDMI connection and BD-ROM/HD DVD discs recorded in 1080p)

1080i – Outputs 1080 lines of interlaced video.

720p – Outputs 720 lines of progressive video.

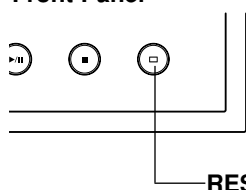
480p – Outputs 480 lines progressive video.

480i – Outputs 480 lines of interlaced video. (Only resolution available on VIDEO OUT, not available on HDMI connection)

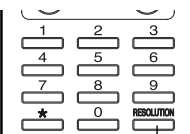
How to change the resolution using RESOLUTION button

Press RESOLUTION button on the Remote Control or front panel in complete stop mode.

Front Panel



Remote Control



RESOLUTION button

How to change the resolution using Setup menu

1. Press SETUP in complete stop mode. The Setup menu appears.
2. Use ▲ / ▼ to select [Display] option then press ► to move to the second level.
3. Use ▲ / ▼ to select the [Resolution] option then press ► to move to the third level.



4. Use ▲ / ▼ to select the desired resolution then press ENTER to confirm your selection.

Available resolution according to connection

HDMI connection

- BD-ROM / HD DVD playback: 1080p, 1080i, 720p and 480p are all available.
- DVD playback: 1080i, 720p and 480p are available.
- If the HDMI jack is connected for TVs providing display information (EDID), you can not select resolutions that the TV does not accept.
- If a title or disc is recorded in a resolution lower than 1080p, the output resolution is automatically changed to no higher than 1080i (even if 1080p is selected in the menu).
- 480i is not available.

COMPONENT VIDEO OUT connection

- BD-ROM / HD DVD / DVD playback: 1080i, 720p, 480p and 480i are available.
- The resolution may be limited depending on the title in BD-ROM and HD DVD.
- However, resolutions not supported by the TV are unavailable.
- If the disc is copy protected, the resolution will be changed to 480i automatically.

VIDEO OUT connection

- BD-ROM / HD DVD / DVD playback: The resolution of the VIDEO OUT jack is fixed to 480i.

Notes:

- Only resolutions supported by the TV are available.
- Depending on your TV, certain HDMI output resolutions may not work.
- If your TV does not accept your resolution setting, an abnormal picture appears on the screen. Please read TV's owner's manual then set the resolution that your TV can accept.

Note for 1080p resolution

The LG Super Blu is able to provide a 1080p full HD image to most 1080p-capable TVs in the market today.

However, there are some 1080p TVs available from certain companies that are limited in the types of 1080p images that can be accepted. Specifically, 1080p-capable TVs that only accept images in 60Hz can display an image from this player in 1080i resolution.

Initial Settings

By using the Setup menu, you can make various adjustments to items such as picture and sound. You can also set a language for the subtitles and the Setup menu, among other things. For details on each Setup menu item, see pages 18 to 20.

To display and exit the Menu:

Press **SETUP** to display the menu in complete stop mode. A second press of **SETUP** will take you back to initial screen.

To go to the next level:

Press **▶** on the Remote Control.

To go back to the previous level:

Press **◀** on the Remote Control.

General Operation

1. Press **SETUP** in complete stop mode. The Setup menu appears.



2. Use **▲ / ▼** to select the desired option then press **▶** to move to the second level. The screen shows the current setting for the selected item, as well as alternate setting(s).
3. Use **▲ / ▼** to select the second desired option then press **▶** to move to the third level.
4. Use **▲ / ▼** to select the desired setting then press **ENTER** to confirm your selection. Some items require additional steps.
5. Press **RETURN**, **SETUP**, or **PLAY** to exit the Setup menu.

Display Menu



TV Aspect

4:3 – Select when a standard 4:3 TV is connected. (4:3 can be affected only when the resolution is 480i or 480p.)

16:9 Wide– Select when a 16:9 wide TV is connected.

Display Mode

Display Mode setting is available only when the TV Aspect mode is set to [4:3].

Letterbox – Displays a wide picture with bands on the upper and lower portions of the screen.

Panscan – Automatically displays the wide picture on the entire screen and cuts off the portions that do not fit.

Notes:

- Display Mode may not be supported on a HD DVD title.
- The Panscan option does not operate during BD-ROM playback.

Resolution

Sets the output resolution of the Component and HDMI video signal.

The number in 480i, 480p, 720p, 1080p and 1080i indicates the number of lines of video. The “i” and “p” indicate interlaced and progressive scan, respectively.

1080p – Outputs 1080 lines of progressive video. (only for HDMI connection and BD-ROM/HD DVD discs recorded in 1080p)

1080i – Outputs 1080 lines of interlaced video.

720p – Outputs 720 lines of progressive video.

480p – Outputs 480 lines progressive video.

480i – Outputs 480 lines of interlaced video. (COMPONENT and VIDEO OUT jack only)

Note:

Refer to “Resolution Setting” on page 16 for details about the resolution.

Language Menu



Display Menu Language

Select a language for the Setup menu and on-screen display.

Disc Menu / Audio / Subtitle Language

Select the language you prefer for the audio track (disc audio), subtitles, and the disc menu.

Original – Refers to the original language in which the disc was recorded.

Other – To select another language, press number buttons then ENTER to enter the corresponding 4-digit number according to the language code list on page 26. If you make a mistake while entering a number, press CLEAR repeatedly to delete numbers one by one then correct it.

Off (for Disc Subtitle) – Turn off Subtitle.

Audio Menu

Each DVD disc has a variety of audio output options. Set the player's Audio options according to the type of audio system you use.



SPDIF (Digital Audio Output)

Bitstream – Select [Bitstream] if you connect this unit's DIGITAL OUT jack to an A/V Receiver or other equipment with a Dolby Digital, DTS or MPEG decoder.

PCM (for Dolby Digital / MPEG / DTS) – Select when connected to a two-channel digital stereo amplifier. DVDs encoded in Dolby Digital, DTS or MPEG will be automatically downmixed to two-channel PCM audio.

Notes:

- With digital audio connection, Disc Menu button sounds may not be heard if the [SPDIF] option is set to [Bitstream]. (BD-ROM)
- In Bitstream mode, this player does not support DTS-HD audio on some HD DVD and abnormal audio will output from audio out jack. To listen to the DTS-HD audio, you must set the [SPDIF] option to [PCM].
- On Bitstream mode, MPEG audio on DVD will output with PCM.

Sampling Freq. (Frequency)

If your A/V Receiver or Amplifier is NOT capable of handling 96 kHz signals, select 48 kHz. When this choice is made, this unit automatically converts any 96 kHz signals to 48 kHz so your system can decode them.

If your A/V Receiver or Amplifier is capable of handling 96 kHz signals, select 96 kHz.

Check the documentation for your A/V Receiver or Amplifier to verify its capabilities.

Speaker Out

To select various parameters for the analog 5.1 channel output.

2CH – When a 2 channel stereo system is connected to this player.

5.1CH – When a 5.1 channel surround system is connected to this player.

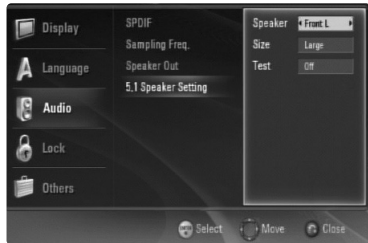
5.1 Speaker Setting

The 5.1 Speaker Setting option is only available when the [Speaker Out] option is set to [5.1CH]. Select speaker settings, including speaker size, or test the speaker settings.

Speaker settings are only active on the Analog Multi-Channel Output. (See [5.1 Speaker Settings] on the next page.)

5.1 Speaker Setting

Make the following settings for the built-in 5.1 channel surround decoder.



1. Press SETUP. The setup menu appears.
2. Use ▲ / ▼ to select the [Audio] option then press ► to move to the second level.
3. Use ▲ / ▼ to select the [5.1 Speaker Setting] option then press ► to move to the third level.
4. Use ◀ / ▶ to select the desired speaker.
5. Adjust options using ▲ / ▼ / ◀ / ▶ buttons.
6. Press ▲ / ▼ repeatedly to return to the previous menu screen.

Speaker selection

Select a speaker that you want to adjust. (Front Left Speaker, Center Speaker, Front Right Speaker, Rear Right Speaker, Rear Left Speaker, or SubWoofer.)

Size

Press ◀ / ▶ to set a mode. (Large, Small or None)

If you have connected the system to a speaker with a low frequency of 100Hz or below, select [Large].

If you have connected the system to a speaker without a low frequency of 100Hz or below, select [Small]. If you have not connected a subwoofer, always select [Large] for Front speaker (L/R).

When you do not have a certain speaker connected, select [None].

Front L/R speaker's size can be set to [Large] or [Small].

If Front L/R speaker's size is set to [Small], Rear and Center speaker's size can only be set to [Small] or [None].

Subwoofer's size can be set only to [Large] or [None]. Select [None] to disable the subwoofer speaker. (This option can only be selected when the Front (L+R) speakers are set to Large.)

Test

Select [All] using ◀ / ▶ to test the signals of each speaker.

Front Left (L) → Center → Front Right (R)
→ Rear Right (R) → Rear Left (L) → SubWoofer

Adjust the volume during operation of the test tone on the Amplifier or A/V Receiver, so that all speaker's volumes are the same from the listener's position.

Note:

If a speaker's sound is not heard, change the speaker's size setting.

Lock Menu (Parental Control)



Rating

Blocks playback of rated DVDs based on their content. (Not all discs are rated.)

1. Select [Rating] on the Lock menu then press ►.
2. To access the [Lock] options, you must input the password you have created. If you have not yet entered password, you will be prompted to do so. Input a password and press ENTER. Enter it again and press ENTER to verify. If you make a mistake before pressing ENTER, press CLEAR.
3. Select a rating from 1 to 8 using the ▲ / ▼ buttons.

Rating 1-8: Rating one (1) has the most restrictions and rating eight (8) is the least restrictive.

Unlock: If you select unlock, parental control is not active and the disc plays in full.

4. Press ENTER to confirm your rating selection, then press SETUP to exit the menu.

Set Password

You can enter or change the password.

1. Select [Set Password] option on the Lock menu then press ►.
2. To create new password, press ENTER when the [New] option is highlighted. Input new password and press ENTER. Enter it again and press ENTER to verify.

To change the password, press ENTER when the [Change] option is highlighted, then input old password and press ENTER. Input new password and press ENTER. Enter it again and press ENTER to verify.

To delete the password, select [Delete] option then press ENTER, then input old password and press ENTER. The password is deleted.

3. Press SETUP to exit the menu.

If you forget your password

If you forget your password, you can clear it using the following steps:

1. Remove any disc that might be in the player, or open the disc tray.
2. Press SETUP to display the Setup Menu and select the Lock Menu.
3. Press ENTER when the [Change] option is highlighted, then input the 6-digit number "210499" and press ENTER. Pressing the ◀ button to highlight the [Set Password] option will complete the password clearing process.

Area Code

Enter the code of the area whose standards were used to rate the DVD video disc, based on the list on page 26.

1. Select [Area Code] on the Lock menu then press ►.
2. Follow step 2 as shown left (Rating).
3. Select the first character using ▲ / ▼ buttons.
4. Press ► and select the second character using ▲ / ▼ buttons.
5. Press ENTER to confirm your Area code selection.

Others Menu



Button Sound

You can hear beep sound when you press a button on the front panel. Set [ON] for this effect.

Java Application Font Size **BD**

You can adjust the default text size displayed for the JAVA contents during BD-ROM playback. This setting is only valid when the JAVA contents do not set the size of text. Please select a font size bigger than 24 when the player is connected with an HD TV.

Operations

General playback features

1. Load your chosen disc in the tray, with the playback side down.
2. Playback starts.

Buttons	Operations
■ (STOP)	Stops the playback. The unit records the stopped point, depending on the disc. "■■■" appears on the screen briefly. Press PLAY (▶) to resume playback (from the scene point). If you press STOP (■) again or unload the disc ("■" appears on the screen.), the unit will clear the stopped point. (■■■ = Resume Stop, ■ = Complete Stop) Note: The resume point may be cleared when a button is pressed (for example; POWER, OPEN/CLOSE, etc).
OPEN / CLOSE (▲)	Opens or closes the disc tray.
(PAUSE)	During playback, press to pause playback. Press repeatedly to play Frame-by-Frame.
⏪ / ⏩ (SKIP)	During playback, press SKIP (⏪ or ⏩) to go to the next chapter or to return to the beginning of the current chapter. Press SKIP ⏪ twice briefly to step back to the previous chapter.
◀ / ▶ (SCAN)	During playback, press SCAN (◀ or ▶) repeatedly to select the required scan speed. (5 steps) While the playback is paused, press SCAN ▶ repeatedly to play in slow motion (4 steps, forward only).
REPEAT	During playback, press REPEAT repeatedly to select a desired repeat mode. (Chapter/Title/Off)
A-B	During playback, each press of A-B button to select point A and point B and repeats a sequence from point A (Starting point) to point B (End point). To cancel the sequence, press A-B.
TITLE DVD HD DVD	If the current DVD and HD DVD disc has a menu, the Title menu appears on the screen. Depending on the disc, the Title Menu may not be available. In this case, the disc menu may appear. (For the HD DVD advanced content title with HDi features, the menu that is supplied by this player is displayed.)
POP UP BD	If the current BD-ROM disc has a menu, the Popup menu appears on the screen. Depending on the disc, the Popup Menu may not be available.
DISC MENU DVD HD DVD	The menu appears on the screen. (For the HD DVD advanced content title with HDi features, the menu that is supplied by this player is displayed.)
BD	The top menu appears on the TV screen.
ANGLE (📷)	During playback of the disc contains scenes recorded different camera angles, press ANGLE repeatedly to select a desired angle.
SUBTITLE (🗨)	During playback, press SUBTITLE repeatedly to select a desired subtitle language.
AUDIO (🔊)	During playback, press AUDIO repeatedly to hear a different audio language or audio track.

Notes on general features:

- If you press SKIP (▶▶) once during Repeat Chapter playback, the repeat playback cancels.
- When you are playing a disc containing scenes recorded different camera angles, the angle indicator will appear on the TV screen for a while and display window during scenes recorded at different angles as an indication that angle switching is possible.
- The REPEAT or A-B button may not work on some discs.

If a disc menu screen is displayed

The menu screen may be displayed first after loading a disc which contains a menu.

Use the ◀ / ▶ / ▲ / ▼ buttons to select the title/chapter you want to view, then press ENTER to start playback.

Time Search

To start playing at any chosen time on the disc:

1. Press DISPLAY during playback.
2. Press ▲ / ▼ to select the time clock icon and "--:--:--" appears.
3. Input the required start time in hours, minutes, and seconds from left to right. If you enter the wrong numbers, press CLEAR to remove the numbers you entered. Then input the correct numbers.
4. Press ENTER to confirm. Playback starts from the selected time.

Note:

This function may not work on some disc or titles.

Marker Search

To enter a Marker

You can start playback from up to nine memorized points. To enter a marker, press MARKER at the desired point on the disc. The Marker icon appears on the TV screen briefly. Repeat to enter up to nine markers.

To Recall or Clear a Marked Scene

1. During disc playback, press SEARCH. The marker search menu appears on the screen.
2. Within 10 seconds, press ◀ / ▶ to select a marker number that you want to recall or clear.
3. Press ENTER and playback starts from the marked scene. Or, Press CLEAR and the marker number is erased from the list.
4. You can play any marker by inputting its number on the marker search menu.

Note:

- This function may not work on some disc or titles.
- All marked points are cleared if you press STOP (■) twice or unload the disc. (complete stop).

Using Color Buttons **BD**

These buttons are available only during BD-ROM's JAVA content playback. Use appropriate color button as indicated by the JAVA display during BD-ROM disc playback. Depending on the disc contents, the functions of each button may differ.

Screen Saver

The screen saver appears when you leave the player in Stop mode for about five minutes.

Displaying Disc Information On-Screen

You can display various information about the disc loaded on-screen.

1. Press DISPLAY to show various playback information.

The items displayed differ depending on the disc type or playing status.



2. During playback, you can select an item by pressing ▲ / ▼ and change or select the setting by pressing ◀ / ▶.
 - Title – Current title number/total number of titles.
 - Chapter – Current chapter number/total number of chapters.
 - Time – Elapsed playing time.
 - Audio – Selected audio language or channel.
 - Subtitle – Selected subtitle.
 - Angle – Selected angle/total number of angles.

Notes:

- If no button is pressed for a few seconds, the on-screen display disappears.
- A title number cannot be selected on some discs.
- An item may not be available on some discs or titles.

Special Features for HD DVD

HD DVD Twin Format Discs **HD DVD**

If you insert an HD DVD Twin Format Disc with both HD DVD and DVD layers on one side, you must select HD DVD or DVD to start playback.

1. Insert an HD DVD Twin Format Disc.
The choice menu will appear.
2. Select HD DVD or DVD on the menu then press ENTER. The selected playback format begins.

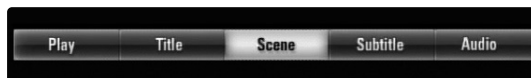
Notes:

- You cannot change the format during playback.
- To change the format, press OPEN/CLOSE to open the disc tray then close the disc tray.
- You can only use POWER, ◀ / ▶, and ENTER buttons when the choice menu is displayed.

Using the HD DVD with HDi features **HD DVD**

You can change title number, scene number, etc using the HD DVD menu.

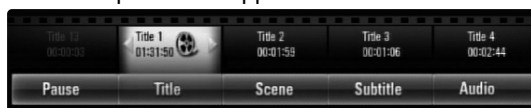
1. Press DISC MENU or TITLE during HD DVD playback.
The menu will appear.



Note:

The above HD DVD menu is displayed only when an HD DVD disc with HDi features is playing.

2. Use the ◀ / ▶ buttons to select an option, then press ENTER.
The sub options will appear.

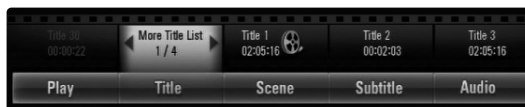


- Play / Pause – Starts playback / pauses playback.
 - Title – Selects a title on a disc.
You cannot select a title whose number is shown a gray color because the title is recorded with black by contents providers. It is normal.
 - Scene – Selects a scene in a title.
 - Subtitle – Selects a subtitle language.
 - Audio – Selects an audio language, for playback only.
3. Use the ◀ / ▶ buttons to select a sub option, then press ENTER to acknowledge the selection.

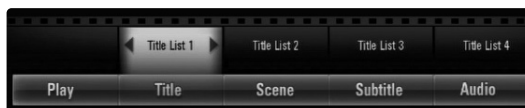
Multi Title List function **HD DVD**

Some HD DVD with HDi features has several Title Lists. In this case, you can select one of the Title Lists using [More Title List] option in the HD DVD menu.

1. Press DISC MENU or TITLE during HD DVD playback.
The HD DVD menu will appear.
2. Use ◀ / ▶ buttons to select [Title] option then press ENTER.
3. Use ◀ / ▶ to select [More Title List] option then press ENTER.



4. Select a Title List then press ENTER.



The playback starts from the beginning of the selected Title List.

Special Features for BD-ROM

BD Hybrid Discs **BD**

If you insert an BD Hybrid Discs having both BD and DVD layers on one side, you must select BD or DVD to start playback.

1. Insert a BD Hybrid Disc.
The choice menu will appear.
2. Select BD or DVD on the menu then press ENTER. The selected playback format begins.

Notes:

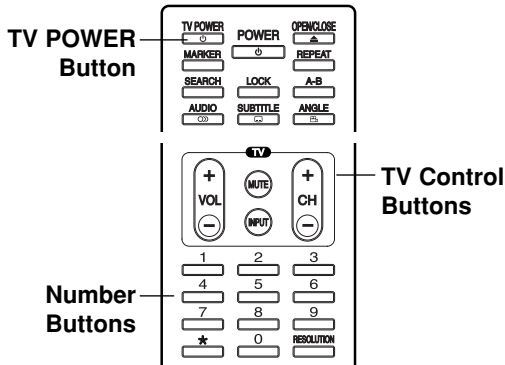
- You cannot change the format during playback.
- To change the format, press OPEN/CLOSE to open the disc tray then close the disc tray.
- You can only use POWER, ◀ / ▶, and ENTER buttons when the choice menu is displayed.

Reference

Controlling an LG TV with the Supplied Universal Remote Control

You can control the volume, input source, and power state of your LG TV with the supplied Universal Remote Control.

You can control your TV using the buttons below.



Controlling other TVs with the Universal Remote Control

You can control the volume, input source, and power state of non-LG TVs as well. If your TV is listed in the table on the next page, set the appropriate manufacturer code.

1. While holding down TV POWER button, press the number buttons to select the manufacturer code for your TV (Refer to table on the next page).
2. Release TV POWER button.

Notes:

- Depending on your TV, some or all buttons may not function on the TV, even after entering the correct manufacturer code.
- If you enter a new code number, the code number previously entered will be erased.
- When you replace the batteries of the remote, the code number you have set may be reset to the default setting. Set the appropriate code number again.

By pressing	You can
TV POWER	Turn the TV on or off.
INPUT	Switch the TV's input source between the TV and other input sources.
CH +/-	Scan up or down through memorized channels.
VOL +/-	Adjust the volume of the TV.
MUTE	Temporarily turns TV sound OFF, press again to restore.

Note:

Depending on the unit being connected, you may not be able to control your TV using some of the buttons.

Code numbers of controllable TVs

If more than one code number is listed, try entering them one at a time until you find the one that works with your TV.

Manufacturer	Code Number	Manufacturer	Code Number	Manufacturer	Code Number
A MARK	112 143	KEC	043	REALISTIC	007 019 043 047
ADMIRAL	072 081 161	KENWOOD	006 070	ROCTEC	186
AKAI	006 146	KLOSS	002 059	RUNCO	168 169
AMPRO	073 167	KMC	143	SAMPO	004 006 058 116
AMSTRAD	052	KTV	006 043 143 154	SAMSUNG	004 050 089 101 105 113 116 127 133 137 143 160
ANAM	026 043 054 056 080 104 108 112 115 118 121 131	LG	001(Default) 004 102 106 110 112 113 116 119 122 127 137 143	SANYO	007 020 021 033 039 053 057 082 166
AOC	004 006 058 112	LODGENET	072	SCOTT	004 028 043 048 116 143
BLAUPUNKT	088	LOGIK	072	SEARS	004 007 015 028 030 057 082 094 101 116 143 160
CANDLE	002 003 004 006	LUXMAN	004	SHARP	004 014 019 022 028 029 081 143 170 175
CAPEHART	058	LXI	007 015 052 081 160 164 166	SIEMENS	088
CETRONIC	043	MAGNAVOX	003 004 006 022 059 060 061 063 064 127 143 160 164	SIGNATURE	072
CITIZEN	002 003 004 006 043 101 103 143	MARANTZ	006 077 164	SONY	041 070 079 085 126 139 147 185
CLASSIC	043	MATSUI	164	SOUNDESIGN	003 004 028 043 116
CONCERTO	004	MEMOREX	004 007 072 116	SPECTRICON	112
CONTEC	039 043 050 051	METZ	088	SSS	004 043
CORONADO	143	MGA	004 006 024 028 042 049 077 116	SUPRE MACY	002
CRAIG	043 054	MINERVA	088	SYLVANIA	003 004 006 044 059 060 063 064 116 127 140 160 164
CROWN	043 143	MITSUBISHI	004 006 024 028 040 042 109 116 124 146	TANDY	081
CURTIS MATHES	004 006 101 116 143	MTC	004 006 062 101	TATUNG	056 062
CXC	043	NAD	015 025	TECHNICS	034 080 084
DAEWOO	004 016 017 043 044 055 071 076 103 107 111 114 117 120 123 125 127 128 136 143	NEC	006 007 016 019 024 040 056 130 132 134	TECHWOOD	004
DAYTRON	004 116 143	NIKEI	043	TEKNIKA	002 003 004 006 024 028 031 043 072 077 101 103 143
DYNASTY	043	ONKING	043	TELEFUNKEN	037 046 086 087
DYNATECH	062	ONWA	043	TELERENT	072
ELECTROHOME	024 077 143	OPTONICA	019 081	TERA	172
EMERSON	004 005 006 028 043 047 048 050 051 096 116 143 151 153 154 155	PADIO SHACK	004	TMK	004 116
FISHER	007 057	PANASONIC	034 056 080 092 164	TOSHIBA	007 015 030 040 051 062 101 138
FUNAI	028 043	PHILCO	003 004 006 024 043 056 059 060 063 064 127 143 164	TOTEVISION	143
FUTURETECH	043	PHILIPS	003 004 005 006 038 059 070 093 143 160 164	UNIVERSAL	008 009
GE	004 006 008 009 034 056 073 074 091 116 130 144 155 160 161 165	PIONEER	006 018 023 025 027 116 135 176	VIDEO CONCEPTS	146
HALL MARK	004 116	PORTLAND	004 143	VIDIKRON	174
HITACHI	004 006 009 010 011 012 023 041 075 143 158 163 166 187	PROSCAN	144 160 161 165 167	VIDTECH	004 116
INFINITY	164	PROTON	004 058 116 131 143 171 173	WARDS	004 008 009 019 028 060 061 063 064 072 074 116 143 164
INKEL	129	QUASAR	034 056 092	YAMAHA	004 006
JBL	164	RADIO SHACK	019 043 047 116 127 143	YORK	004 116
JCPENNY	004 006 008 009 024 030 065 101 143 156 160	RCA	004 006 023 024 056 065 074 144 152 156 160 161 165	YUPITERU	043
JENSEN	013			ZENITH	001 072 073 095 103 157
JVC	034 038 070 083 145			ZONDA	112

Language Codes

Use this list to input your desired language for the following initial settings:
Disc Audio, Disc Subtitle, Disc Menu.

Language	Code	Language	Code	Language	Code	Language	Code
Abkhazian	6566	Fiji	7074	Lingala	7678	Singhalese	8373
Afar	6565	Finnish	7073	Lithuanian	7684	Slovak	8375
Afrikaans	6570	French	7082	Macedonian	7775	Slovenian	8376
Albanian	8381	Frisian	7089	Malagasy	7771	Somali	8379
Ameharic	6577	Galician	7176	Malay	7783	Spanish	6983
Arabic	6582	Georgian	7565	Malayalam	7776	Sudanese	8385
Armenian	7289	German	6869	Maltese	7784	Swahili	8387
Assamese	6583	Greek	6976	Maori	7773	Swedish	8386
Aymara	6589	Greenlandic	7576	Marathi	7782	Tagalog	8476
Azerbaijani	6590	Guarani	7178	Moldavian	7779	Tajik	8471
Bashkir	6665	Gujarati	7185	Mongolian	7778	Tamil	8465
Basque	6985	Hausa	7265	Nauru	7865	Tatar	8484
Bengali; Bangla	6678	Hebrew	7387	Nepali	7869	Telugu	8469
Bhutani	6890	Hindi	7273	Norwegian	7879	Thai	8472
Bihari	6672	Hungarian	7285	Oriya	7982	Tibetan	6679
Breton	6682	Icelandic	7383	Panjabi	8065	Tigrinya	8473
Bulgarian	6671	Indonesian	7378	Pashto, Pushto	8083	Tonga	8479
Burmese	7789	Interlingua	7365	Persian	7065	Turkish	8482
Byelorussian	6669	Irish	7165	Polish	8076	Turkmen	8475
Cambodian	7577	Italian	7384	Portuguese	8084	Twi	8487
Catalan	6765	Japanese	7465	Quechua	8185	Ukrainian	8575
Chinese	9072	Javanese	7487	Rhaeto-Romance	8277	Urdu	8582
Corsican	6779	Kannada	7578	Rumanian	8279	Uzbek	8590
Croatian	7282	Kashmiri	7583	Russian	8285	Vietnamese	8673
Czech	6783	Kazakh	7575	Samoan	8377	Volapük	8679
Danish	6865	Kirghiz	7589	Sanskrit	8365	Welsh	6789
Dutch	7876	Korean	7579	Scots Gaelic	7168	Wolof	8779
English	6978	Kurdish	7585	Serbian	8382	Xhosa	8872
Esperanto	6979	Laothian	7679	Serbo-Croatian	8372	Yiddish	7473
Estonian	6984	Latin	7665	Shona	8378	Yoruba	8979
Faroese	7079	Latvian, Lettish	7686	Sindhi	8368	Zulu	9085

Area Codes

Choose an Area code from this list.

Area	Code	Area	Code	Area	Code	Area	Code
Afghanistan	AF	Ethiopia	ET	Malaysia	MY	Saudi Arabia	SA
Argentina	AR	Fiji	FJ	Maldives	MV	Senegal	SN
Australia	AU	Finland	FI	Mexico	MX	Singapore	SG
Austria	AT	France	FR	Monaco	MC	Slovak Republic	SK
Belgium	BE	Germany	DE	Mongolia	MN	Slovenia	SI
Bhutan	BT	Great Britain	GB	Morocco	MA	South Africa	ZA
Bolivia	BO	Greece	GR	Nepal	NP	South Korea	KR
Brazil	BR	Greenland	GL	Netherlands	NL	Spain	ES
Cambodia	KH	Herd and McDonald Islands	HM	Netherlands Antilles	AN	Sri Lanka	LK
Canada	CA	Hong Kong	HK	New Zealand	NZ	Sweden	SE
Chile	CL	Hungary	HU	Nigeria	NG	Switzerland	CH
China	CN	India	IN	Norway	NO	Taiwan	TW
Colombia	CO	Indonesia	ID	Oman	OM	Thailand	TH
Congo	CG	Israel	IL	Pakistan	PK	Turkey	TR
Costa Rica	CR	Italy	IT	Panama	PA	Uganda	UG
Croatia	HR	Jamaica	JM	Paraguay	PY	Ukraine	UA
Czech Republic	CZ	Japan	JP	Philippines	PH	United States	US
Denmark	DK	Kenya	KE	Poland	PL	Uruguay	UY
Ecuador	EC	Kuwait	KW	Portugal	PT	Uzbekistan	UZ
Egypt	EG	Libya	LY	Romania	RO	Vietnam	VN
El Salvador	SV	Luxembourg	LU	Russian Federation	RU	Zimbabwe	ZW

Troubleshooting

Symptom	Possible Cause	Correction
No power.	<ul style="list-style-type: none"> The power cord is disconnected. 	<ul style="list-style-type: none"> Plug the power cord into the wall outlet securely.
The power is on, but the player does not work.	<ul style="list-style-type: none"> No disc is inserted. 	<ul style="list-style-type: none"> Insert a disc. (Check the disc indicator in the display window is lit.)
No picture.	<ul style="list-style-type: none"> The TV is not set to receive DVD signal output. 	<ul style="list-style-type: none"> Select the appropriate video input mode on the TV.
	<ul style="list-style-type: none"> The video cable is not connected securely. 	<ul style="list-style-type: none"> Connect the video cable securely.
	<ul style="list-style-type: none"> The selected resolution is not capable with your TV. 	<ul style="list-style-type: none"> Select another resolution using RESOLUTION button.
No sound.	<ul style="list-style-type: none"> The equipment connected with the audio cable is not set to receive disc signal output. 	<ul style="list-style-type: none"> Select the correct input mode of the audio receiver so you can listen to the sound from the player.
	<ul style="list-style-type: none"> The power of the equipment connected with the audio cable is turned off. 	<ul style="list-style-type: none"> Turn on the equipment connected with the audio cable.
	<ul style="list-style-type: none"> The [Audio] options are set to the wrong position. 	<ul style="list-style-type: none"> Set the [Audio] options to the correct position, then turn on the player again by pressing POWER.
The player does not start playback.	<ul style="list-style-type: none"> An unplayable disc is inserted. 	<ul style="list-style-type: none"> Insert a playable disc. (Check the disc type and regional code.)
	<ul style="list-style-type: none"> The rating level is set. 	<ul style="list-style-type: none"> Change the rating level.
The Remote Control does not work properly.	<ul style="list-style-type: none"> The Remote Control is not pointed at the remote sensor on the player. 	<ul style="list-style-type: none"> Point the Remote Control at the remote sensor of the player.
	<ul style="list-style-type: none"> The Remote Control is too far from the player. 	<ul style="list-style-type: none"> Operate the Remote Control closer to the player.

Maintenance and Service

Refer to the information in this chapter before contacting a service technician.

Handling the Unit

When shipping the unit

Please save the original shipping carton and packing materials. If you need to ship the unit, for maximum protection, re-pack the unit as it was originally packed at the factory.

Keeping the exterior surfaces clean

Use the supplied cloth for cleaning the surfaces of the player.

- Do not use volatile liquids such as insecticide spray near the unit.
- Wiping with strong pressure may damage the surface.
- Do not leave rubber or plastic products in contact with the unit for a long period of time, since they could mark the surface.

Cleaning the unit

To clean the player, use a soft, dry cloth. If the surfaces are extremely dirty, use a soft cloth lightly moistened with a mild detergent solution.

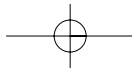
Do not use strong solvents such as alcohol, benzene, or thinner, as these might damage the surface of the unit.

Maintaining the Unit

The unit is a high-tech, precision device. If the optical pick-up lens and disc drive parts are dirty or worn, the picture quality could be diminished.

Depending on the operating environment, regular inspection and maintenance are recommended after every 1,000 hours of use.

For details, please contact your nearest authorized service center.



Specifications

General

Power requirements:	AC 120V, 60Hz
Power consumption:	30W
Dimensions (W x H x D):	Approx. 17 x 3.1 x 9.9 inches (430 x 79 x 250 mm) without feet
Weight (Approx.):	4.1 kg (9.1 lbs)
Operating temperature:	41 °F to 95 °F (5 °C to 35 °C)
Operating humidity:	5 % to 90 %

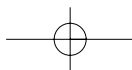
Outputs

VIDEO OUT:	1.0 V (p-p), 75 Ω , sync negative, RCA jack x 1
COMPONENT VIDEO OUT:	(Y) 1.0 V (p-p), 75 Ω , negative sync, RCA jack x 1 (Pb)/(Pr) 0.7 V (p-p), 75 Ω , RCA jack x 2
HDMI OUT (video/audio):	19 pin (HDMI standard, Type A)
ANALOG AUDIO OUT:	2CH: 2.0 Vrms (1 KHz, 0 dB), 600 Ω , RCA jack (L, R) x 1 6CH: 2.0 Vrms (1 KHz, 0 dB), 600 Ω , RCA jack x 6
DIGITAL OUT (COAXIAL):	0.5 V (p-p), 75 Ω , RCA jack x 1
DIGITAL OUT (OPTICAL):	3 V (p-p), Optical jack x 1

System

Laser:	Semiconductor laser, wavelength: 405nm / 650 nm
Signal system:	Standard NTSC Color TV system
Frequency response:	8 Hz to 44 kHz (96 kHz Sampling) 8 Hz to 22 kHz (48 kHz Sampling)
Signal-to-noise ratio:	More than 100 dB (ANALOG OUT connectors only)
Harmonic distortion:	Less than 0.008%
Dynamic range:	More than 95 dB
Accessories:	Component video cable (1) Video cable (1) Audio cable (1) Remote control (1) Batteries (2) Cloth for cleaning the surfaces of the player (1)

Note: Design and specifications are subject to change without prior notice.



Super Blu's Audio Output Specifications

Disc/format		Setting		Analog Output		Digital (SPDIF/HDMI)	
		2ch	5.1ch	PCM	Bitstream*1		
BD-ROM	Dolby Digital	2ch	5.1ch	2ch PCM	Dolby Digital		
	Dolby Digital Plus	2ch	5.1ch	2ch PCM	Dolby Digital 5.1*2		
	Dolby TrueHD	2ch	5.1ch	2ch PCM	Dolby Digital 5.1*3		
	DTS	2ch	5.1ch	2ch PCM	DTS		
	DTS-HD	2ch	5.1ch	2ch PCM	DTS*4		
	Linear PCM 2ch	2ch	2ch	2ch PCM	2ch PCM		
	Linear PCM 5.1ch	2ch	5.1ch	2ch PCM	2ch PCM		
	Linear PCM 7.1ch	2ch	5.1ch	2ch PCM	2ch PCM		
HD DVD	Dolby Digital	2ch	5.1ch	2ch PCM	Dolby Digital		
	Dolby Digital Plus	2ch	5.1ch	2ch PCM	Dolby Digital 5.1*2		
	Dolby TrueHD	2ch	2ch	2ch PCM	2ch PCM		
	DTS	2ch	5.1ch	2ch PCM	DTS		
	DTS-HD	2ch	5.1ch	2ch PCM	DTS*4		
	Linear PCM 2ch	2ch	2ch	2ch PCM	2ch PCM		
	Linear PCM 5.1ch	2ch	5.1ch	2ch PCM	2ch PCM		
	Linear PCM 7.1ch	2ch	5.1ch	2ch PCM	2ch PCM		
DVD Video	Dolby Digital	2ch	5.1ch	2ch PCM	Dolby Digital		
	DTS	2ch	5.1ch	2ch PCM	DTS		
	Linear PCM	2ch	2ch*5	2ch PCM	2ch PCM		
	MPEG	2ch	2ch	2ch PCM	2ch PCM		

*1: In case of Bitstream mode, interactive and secondary audio is not included in the output bitstream. (Primary Audio Stream only)

*2: DD+5.1ch core stream only

*3: **Dolby Digital 5.1 substream only**

*4: DTS-HD 5.1ch core stream only

*5: In case of the source audio of 5.1 or 7.1 channels, the specification of output audio channels is 5.1.

Notes:

- Some discs allow you to change audio selections only via the disc menu. If this is the case, press POP UP or DISC MENU button and choose the appropriate language from the selections on the disc menu.
- When you turn on the player or replace a disc, the player returns to the initial default setting. Depending on a disc, a specific type of audio the disc has is output.
- Immediately after you have switched sounds, there may be a temporary discrepancy between the display and actual sound.

Open source software notice

The following GPL executables and LGPL/MPL libraries used in this product are subject to the GPL/LGPL/MPL License Agreements:

GPL EXECUTABLES:

Linux kernel 2.4.25
Busybox
Bash
e2fsprogs

LGPL LIBRARIES:

libuClibc.so
libstdc++.so
libdirectfb.so
libavcodec.so
libavformat.so
libiconv.so
libgcrypt.so
libgnutls.so
libpgp-error.so

MPL LIBRARIES:

libcairo.so

LG Electronics offers to provide source code to you on CD-ROM for a charge covering the cost of performing such distribution, such as the cost of media, shipping and handling upon e-mail request to LG Electronics at:

smbp_opensource@lge.com

This offer is valid for a period of three(3) years from the date of the distribution of this product by LG Electronics.

You can obtain a copy of the GPL, LGPL and MPL licenses from <http://us.lge.com>.

Portions of this software are copyright ©2003 The FreeType Project (www.freetype.org). All rights reserved.

The module, libjpeg.so used in this product is the work of the Independent JPEG Group.

© copyright 1991-1998, Thomas G. Lane. All rights reserved.

This product includes software developed by the University of California, Berkeley and its contributors.

Customer Support

To obtain the latest software for this player (if updates have been made), please contact the following:

Call 1 (800) 243-0000 or

Visit <http://us.lgservice.com> and click on PRODUCT SUPPORT → Device Driver.

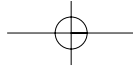
Resetting the Player

If you observe any of the following symptoms...

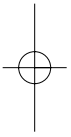
- When the Player is plugged in, but the power will not turn on or off.
- When the display window is not working.
- When the Player does not operate normally.

You can reset the Player as follows:

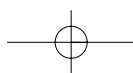
- Press and hold the POWER button for more than five seconds. This will force the Player to power off. Press the POWER button again to turn the Player back on.
- Unplug the power cord and then plug the power cord again after more than five seconds.



Notes



Reference





**LG Electronics, Inc.
Limited Warranty - USA**

This LG Electronics product, will be repaired or replaced, at LG's option, if it proves to be defective in material or workmanship, under normal use, during the warranty period ("Warranty Period") listed below, effective from the date ("Date of Purchase") of original consumer purchase of the product. This warranty is good only to the original purchaser of the product and effective only when used in the United States, excluding U.S. Territories.

<p>WARRANTY PERIOD:</p> <p>LABOR: 90 days from the Date of Purchase.</p> <p>PARTS: One Year from the Date of Purchase.</p> <p>* Parts replaced are warranted for the remaining portion of the original warranty period.</p>	<p>HOW SERVICE IS HANDLED:</p> <p>Call 1-800-243-0000 for instructions on getting the defective unit repaired or replaced.</p> <p>Please retain dated sales receipt and your box to return the unit to LG for repair or replacement.</p> <p>Shipping both ways will be paid by LG during the Warranty Period. After the Warranty Period, you pay inbound shipping charges and LG pays return shipping charges.</p> <p>Visit our website at: http://www.lgservice.com</p>
--	--

THIS WARRANTY IS IN LIEU OF ANY OTHER WARRANTIES, EXPRESS OR IMPLIED, INCLUDING WITHOUT LIMITATION, ANY WARRANTY OF MERCHANTABILITY OR FITNESS FOR A PARTICULAR PURPOSE. TO THE EXTENT ANY IMPLIED WARRANTY IS REQUIRED BY LAW, IT IS LIMITED IN DURATION TO THE EXPRESS WARRANTY PERIOD ABOVE. LG ELECTRONICS WILL NOT BE LIABLE FOR ANY INCIDENTAL, CONSEQUENTIAL, INDIRECT, SPECIAL OR PUNITIVE DAMAGES OF ANY NATURE, EVEN IF ADVISED OF THE POSSIBILITY OF SUCH DAMAGES, INCLUDING WITHOUT LIMITATION, LOST REVENUES OR PROFITS, LOST OR CORRUPTED PROGRAMMING OR DATA, OR ANY OTHER DAMAGE WHETHER BASED IN CONTRACT, TORT OR OTHERWISE. Some states do not allow the exclusion or limitation of incidental or consequential damages or limitation on how long an implied warranty lasts, so the above exclusion or limitation may not apply to you. This warranty gives you specific legal rights and you may also have other rights that may vary from state to state.

THIS LIMITED WARRANTY DOES NOT APPLY TO:

- Damages or operating problems that result from shipping, installation, adjustment of user controls, calibration, maintenance or failure to maintain, or separate system components; and
- Damages or operating problems that result from normal wear and tear, misuse, abuse, operation outside environmental specifications or contrary to the requirements or precautions in the Operating Guide, accident, lightning strikes or other natural causes, unauthorized modification or alteration, incorrect electrical current or voltage, reception problem caused by inadequate home antenna or faulty antenna connections, computer software, institutional or commercial use, or other causes not arising out of defect in material or workmanship.

Therefore, the cost of repair or replacement of such defective product shall be borne by the consumer.

CUSTOMER INTER-ACTIVE CENTER NUMBERS:

<p>For nearest Authorized Service Center, Where to buy, Product Assistance, or Customer Assistance</p>	<p>Call 1-800-243-0000 (24 hours a day, 365 days per year) and select appropriate options from the menu.</p> <p>Or visit our website at http://www.lgservice.com</p>
---	--