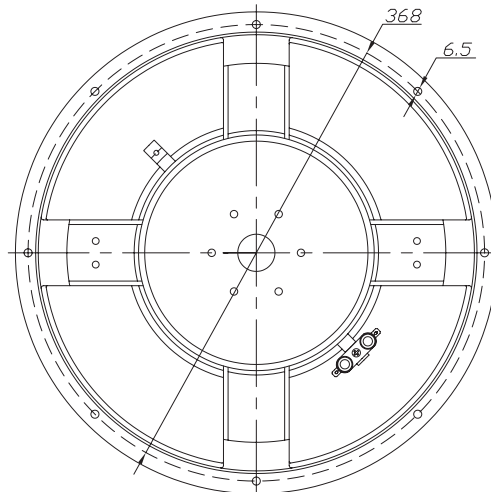
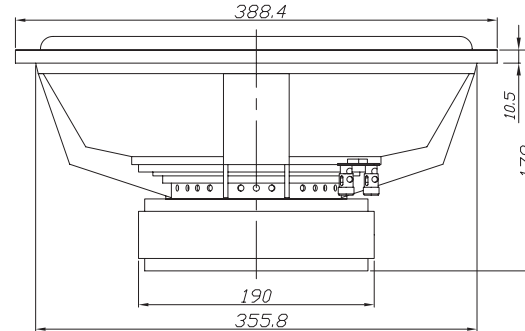


### Features

- Black anodized aluminum cone
- 2-1/2" 2-layer voice coil
- Triple-shorting-ring motor
- Fully vented construction
- Rigid cast frame
- Rubber surround
- High power handling

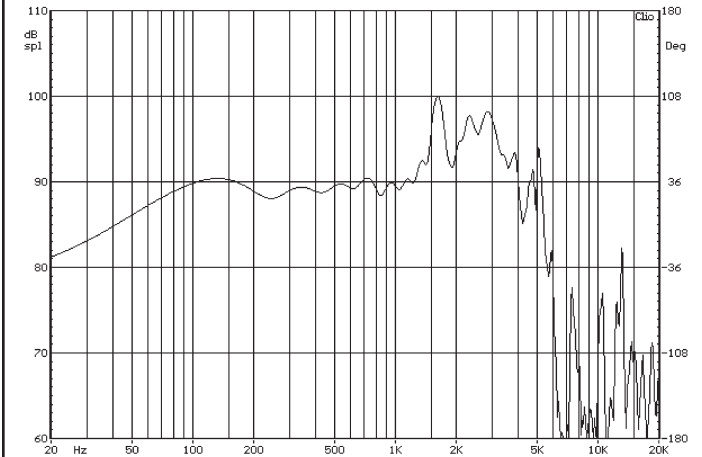
### Parameters

Impedance ( $\Omega$ )	4
Re ( $\Omega$ )	3.3
Le (mH) @ 1 kHz	1.00
Fs (Hz)	18.0
Qms	3.10
Qes	0.49
Qts	0.42
Mms (g)	282.6
Cms (mm/N)	0.28
Sd (cm <sup>2</sup> )	829.6
Vd (liters)	1161.4
BL (Tm)	14.67
VAS (liters)	281.8
XMAX (mm)	14
VC Diameter (mm)	64
SPL (dB@1W/1m)	87.0
RMS Power Handling (w)	500
Usable Frequency Range (Hz)	18 - 800



Note: All dimensions in mm.

### Frequency Response



Note: Due to testing limitations, response below 200 Hz is not an actual representation.

### Impedance/Phase

